

PIZZA OVEN WOOD-GAS BURNING /Series MIX-R/

Oven Model	MIX85RK
Number of pizzas 30 cm	5
Productivity per hour	75
Consumption of firewood per hour/kg/	3-4
Gas consumption:	
-methane gas mc/h	3.0
-GPL gas kg/h	1.7
Weight/kg/	950

GAS PARAMETERS

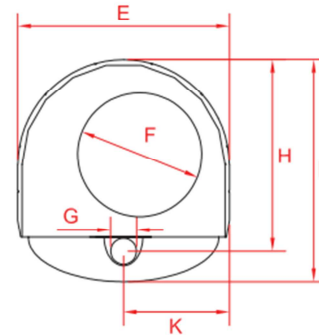
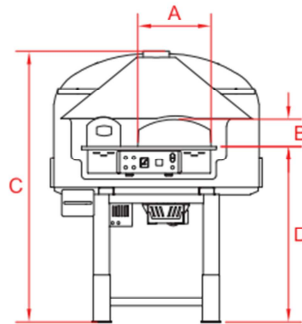
Constructive type B11
 Category II2H3 +
 Gas pressure:
 -G30-31 30-37mbar
 -G20 20mbar
 Gas nozzle 3 / 4 "
 Thermal power / kw /
 MIX85RK 22
 Electrical supply
 -230 V/50-60 Hz

Oven Model	A	B	C	D	E	F	G	H	I	K
MIX85RK	55	20	186	120	145	85	18	132	152	72.5

* Dimensions are **cm**



Design **K** - Mosaic



Blue Mosaic



Spotted Mosaic



Brown Mosaic

